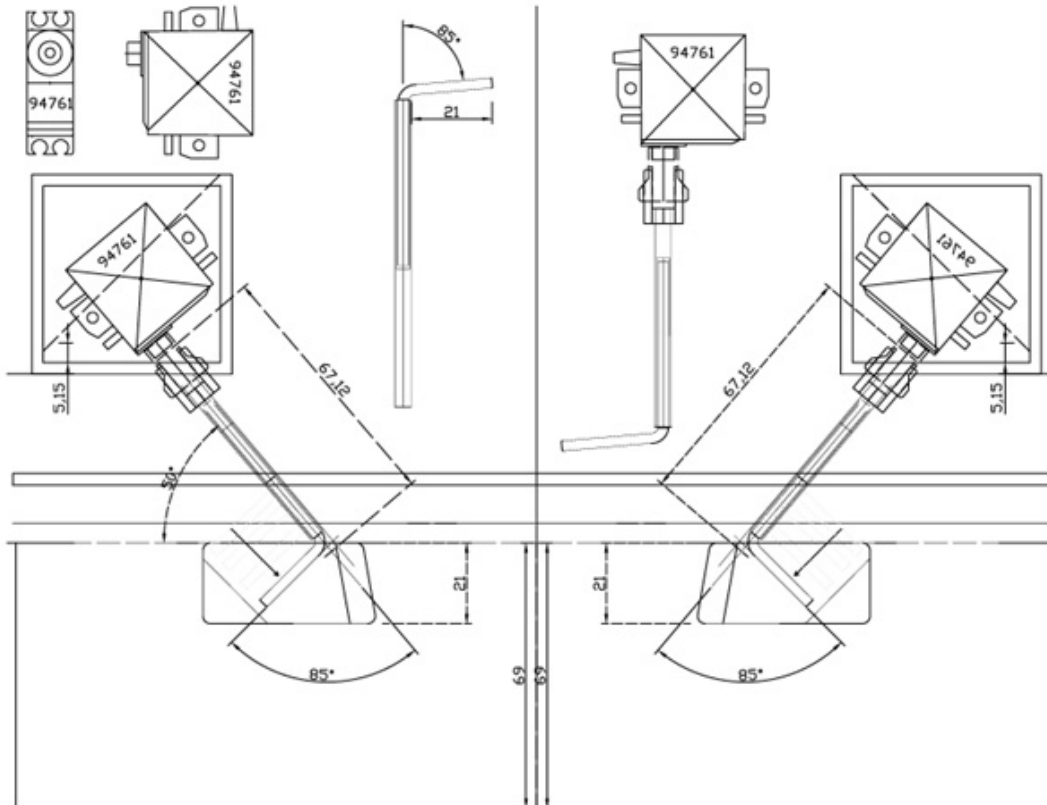
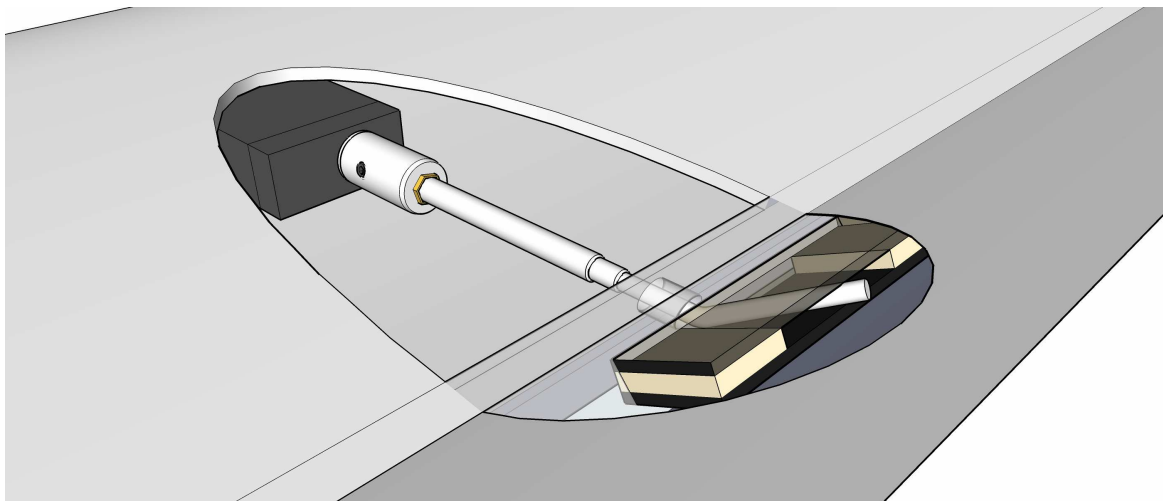


RDS RELATED PICTURES AND DRAWINGS

DRAWING #1: This is courtesy of Tuan Le, showing how he angled the servo for flaps in a squared up ARF opening. Just ignore the way the shaft is attached to the servo. It is much simpler using the new couplers and drive shaft assembly as the main text details. Keep the setscrew accessible.



DRAWING #2: This is courtesy of Duane Beck. It gives a view of a squared-up RDS aileron installation. Especially note that there is play around the wiper to allow up-down and fore-aft shaft motions needed where hinging and pocket planes are not co-incident, a common situation except in some high end ARF's where these are in plane and centered vertically.



DRAWING #3: Also courtesy of Duane Beck showing exploded close-up of servo output gear, double splined adapter, coupler, long flat headed screw, setscrew, hex brass shaft end and shaft.

